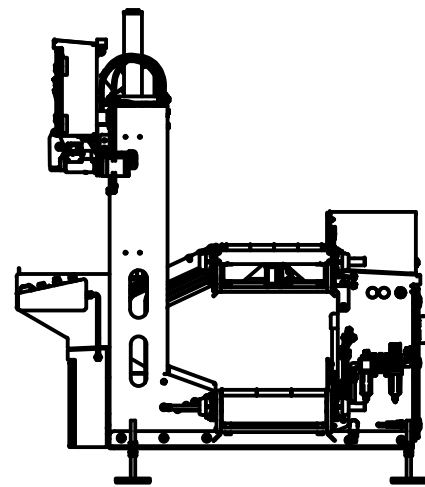
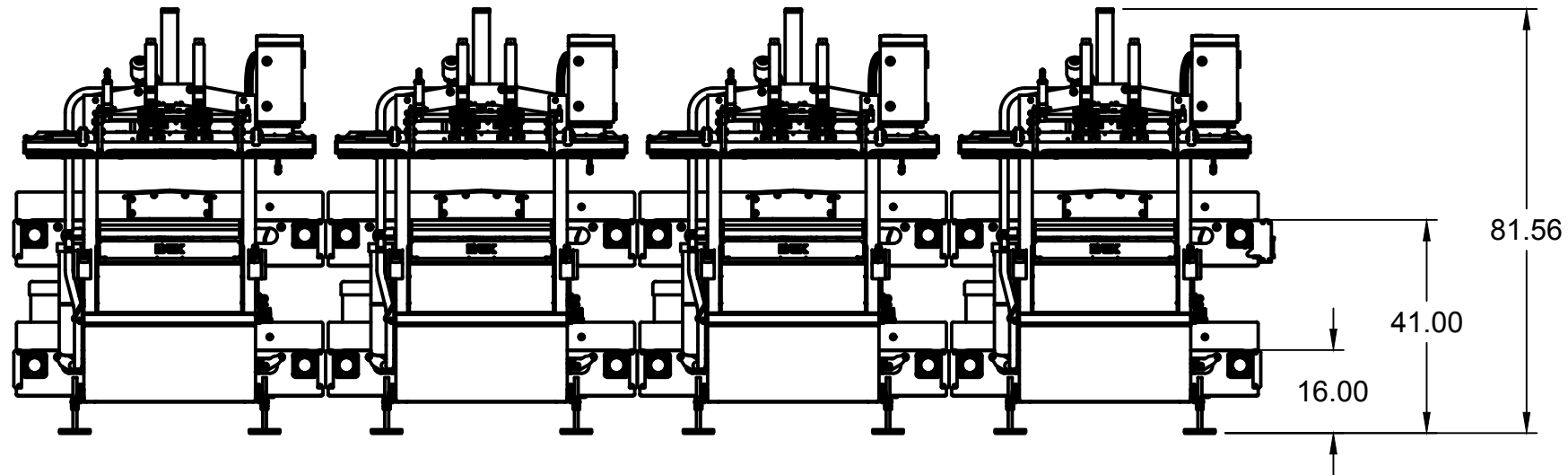
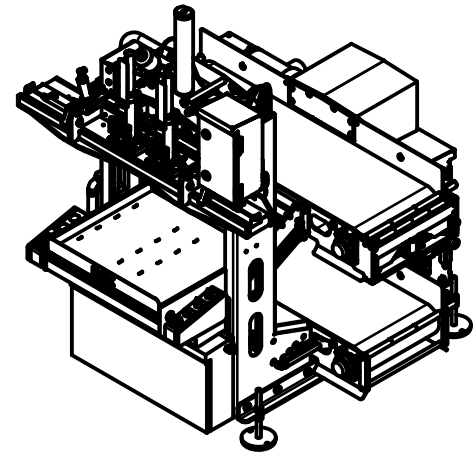
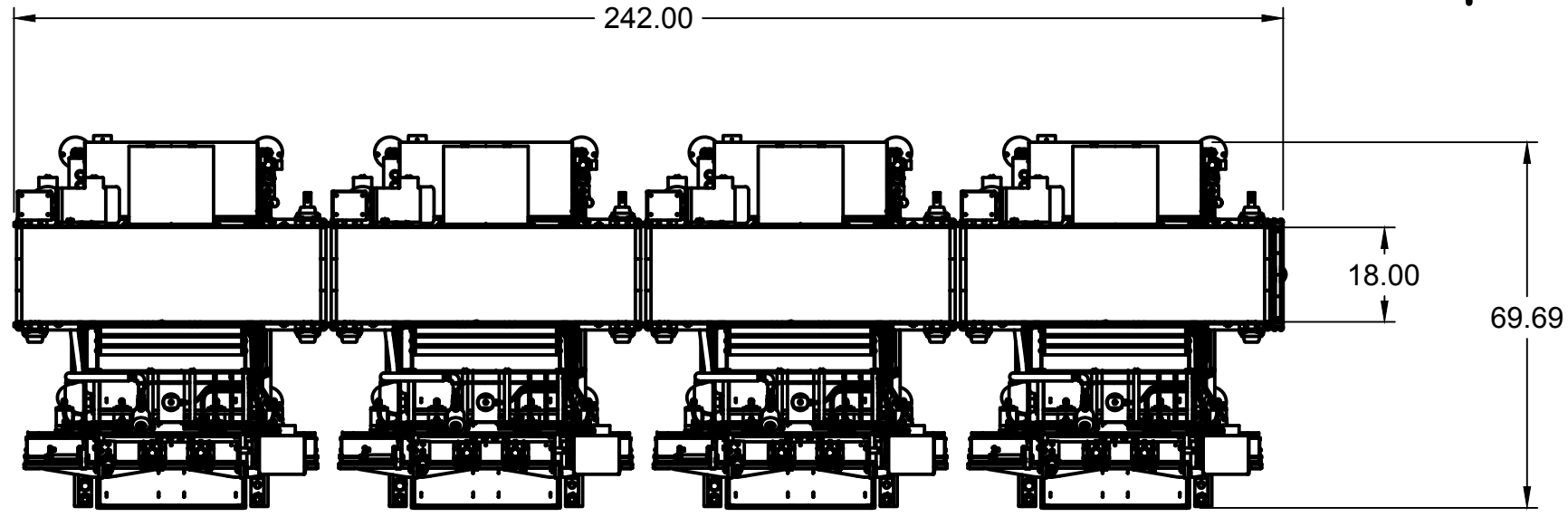


REVISIONS				
ECO	REV	DESCRIPTION	DATE	APPROVED



THIS DRAWING IS THE PROPERTY OF M-TEK, INC. AND IS TO BE CONSIDERED CONFIDENTIAL. USE OR REPRODUCTION WITHOUT THE EXPRESS PERMISSION OF THE COMPANY IS STRICTLY PROHIBITED. TOLERANCES: UNLESS OTHERWISE STATED: FRACTIONAL = ±.015 .XX = ±.015 .XXX = ±.005 DRILLED HOLE: STANDARD S.A.E.	APPROVED MFG: _____ APPROVED ENG: _____ DRAWN BY: T. LIKOPOULOS
	TITLE: MK III MHSP RL 4 HEAD
	DWG NO.: MHSP RL 4 HEAD SCALE: NA DATE: 09/06/17 SHEET 1 OF 1