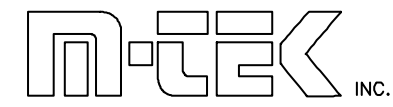
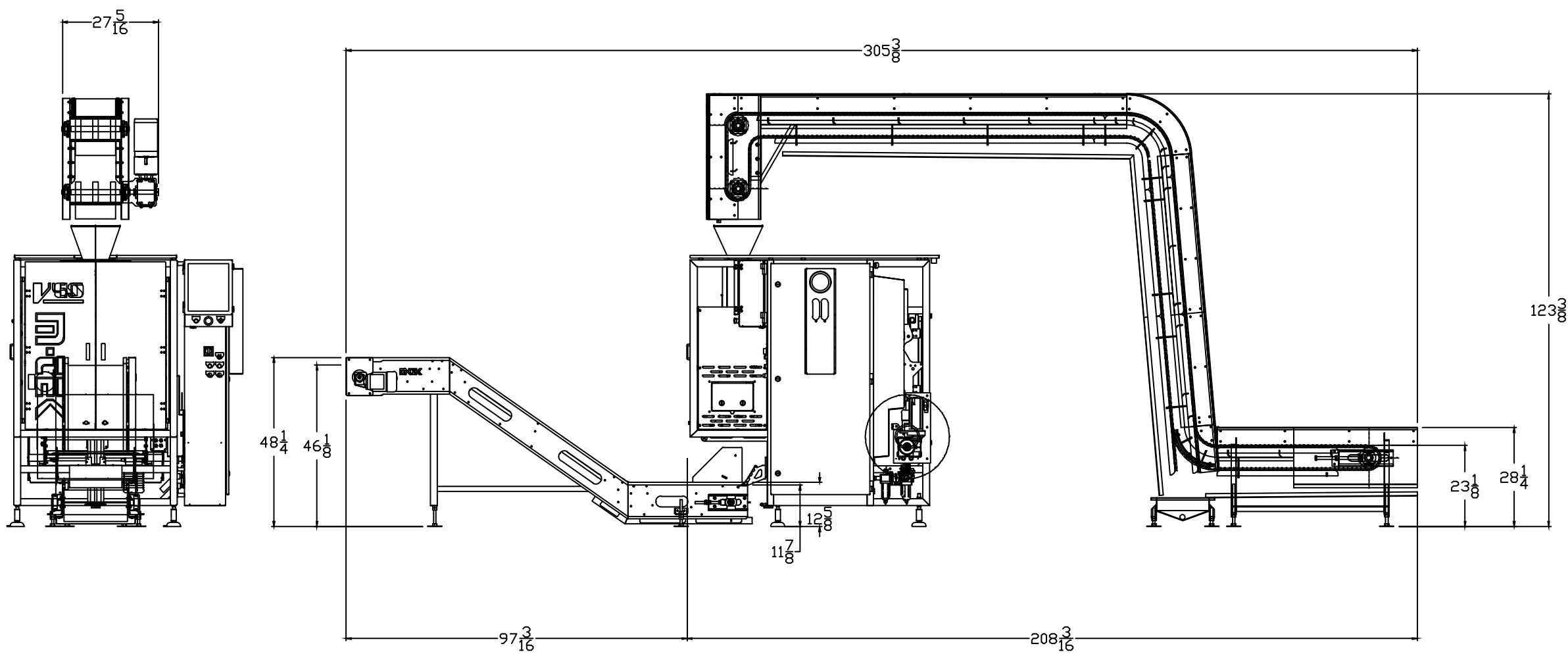
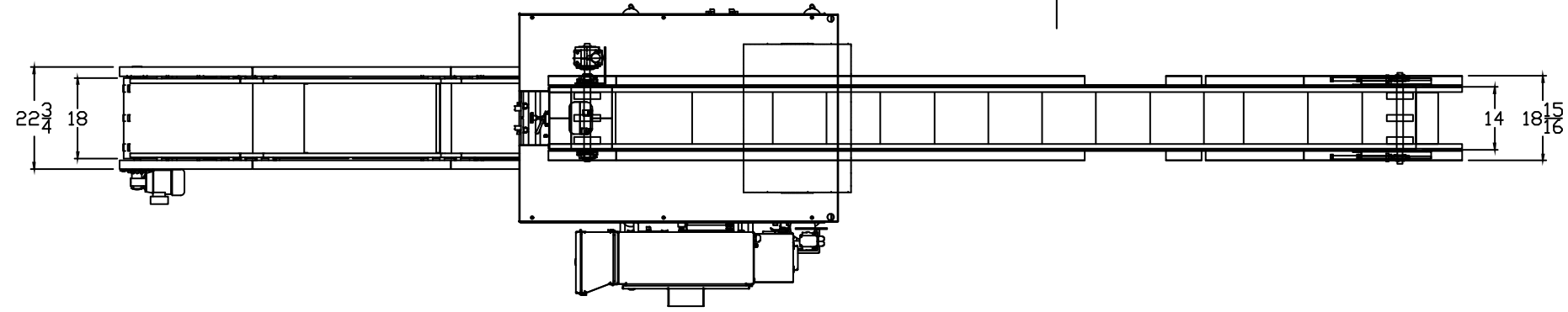


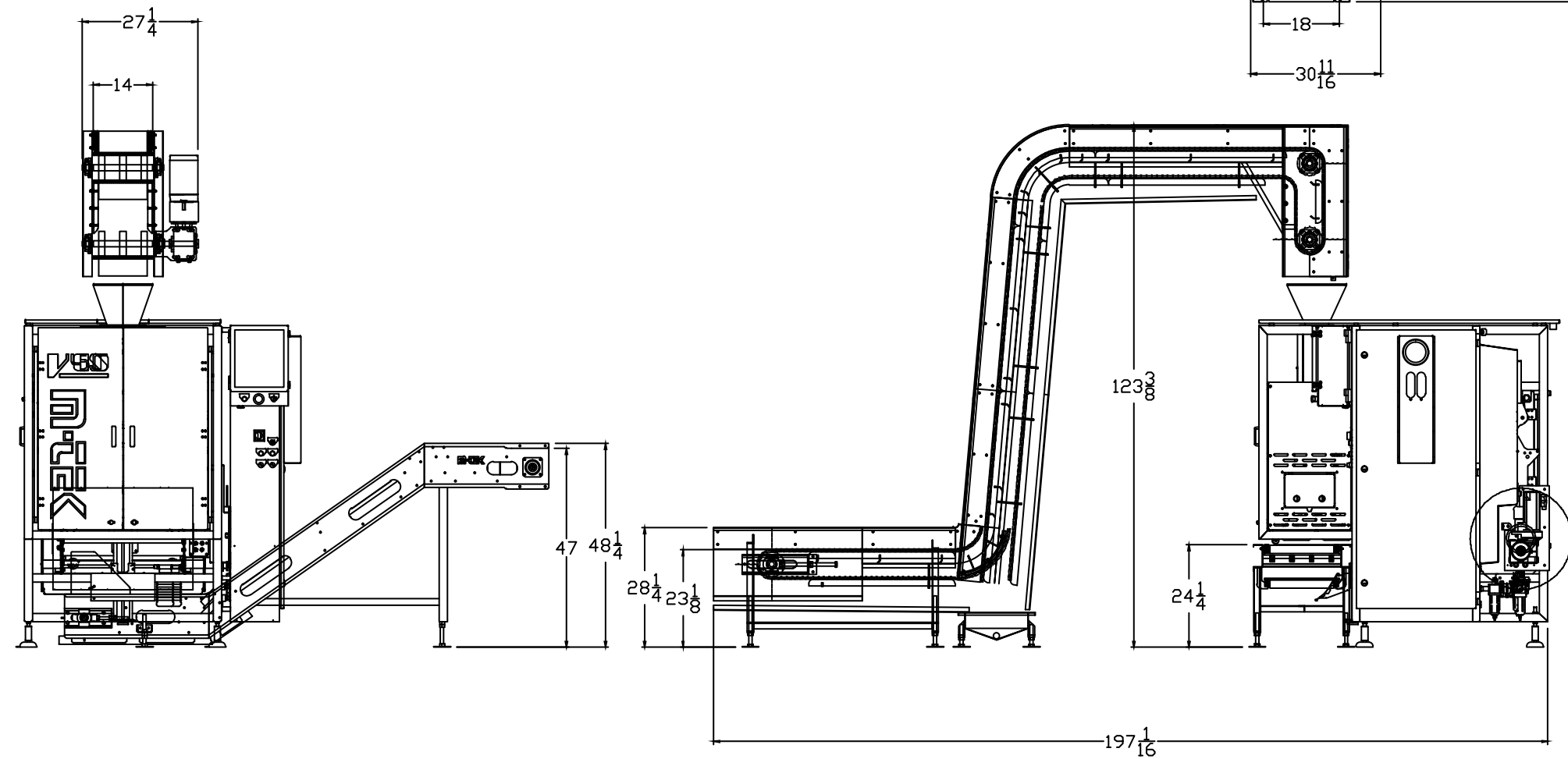
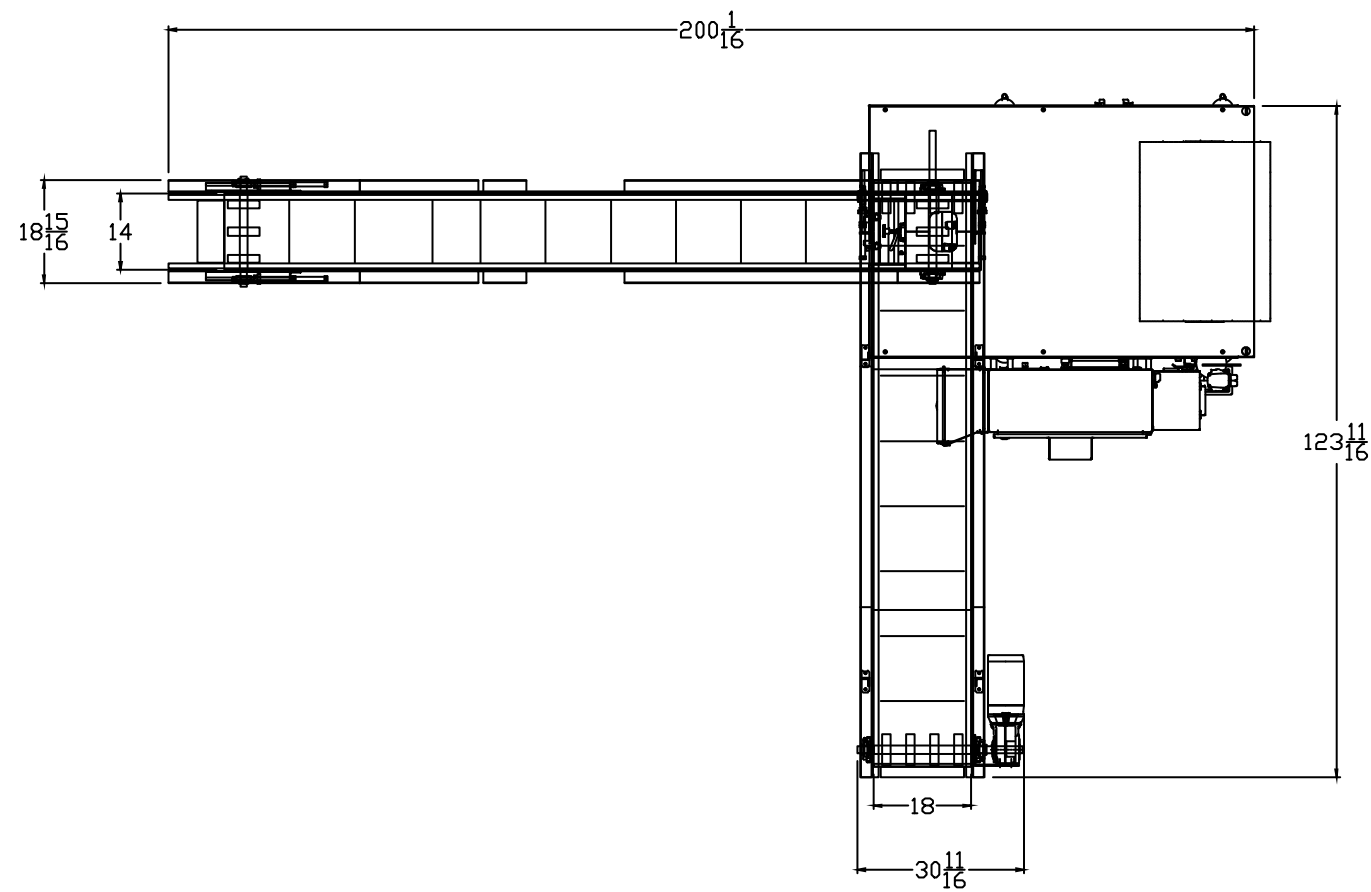
THE THREE PRODUCT FLOW AND CONVEYOR CONFIGURATIONS SHOWN HERE ARE PROVIDED AS EXAMPLES, OTHER PRODUCT INFEEED AND EXIT DIRECTIONS ARE POSSIBLE.

| REVISIONS | | | | |
|-----------|-----|-------------|------|----------|
| ECO | REV | DESCRIPTION | DATE | APPROVED |
| | | | | |



| | |
|--|--|
| <p>THIS DRAWING IS THE PROPERTY OF M-TEK, INC. AND IS TO BE CONSIDERED CONFIDENTIAL. USE OR REPRODUCTION WITHOUT THE EXPRESS PERMISSION OF THE COMPANY IS STRICTLY PROHIBITED.</p> <p>TOLERANCES: UNLESS OTHERWISE STATED: FRACTIONAL = ±.015 .XX = ±.015 .XXX = ±.005 DRILLED HOLE: STANDARD S.A.E.</p> | <p>APPROVED MFG: _____</p> <p>APPROVED ENG: _____</p> |
| | <p>DRAWN BY: T. LIAKOPOULOS</p> <p>TITLE: V32 REAR INFEEED – FRONT OUTFEED</p> |
| | <p>DWG NO.: V32CONVEYORS</p> <p>SCALE: _____ DATE: 02/26/08 SHEET 1 OF 1</p> |

| REVISIONS | | | | |
|-----------|-----|-------------|------|----------|
| ECO | REV | DESCRIPTION | DATE | APPROVED |
| | | | | |



THIS DRAWING IS THE PROPERTY OF M-TEK, INC. AND IS TO BE CONSIDERED CONFIDENTIAL. USE OR REPRODUCTION WITHOUT THE EXPRESS PERMISSION OF THE COMPANY IS STRICTLY PROHIBITED.

APPROVED MFG: _____ APPROVED ENG: _____
 DRAWN BY: T. LIKOPOULOS

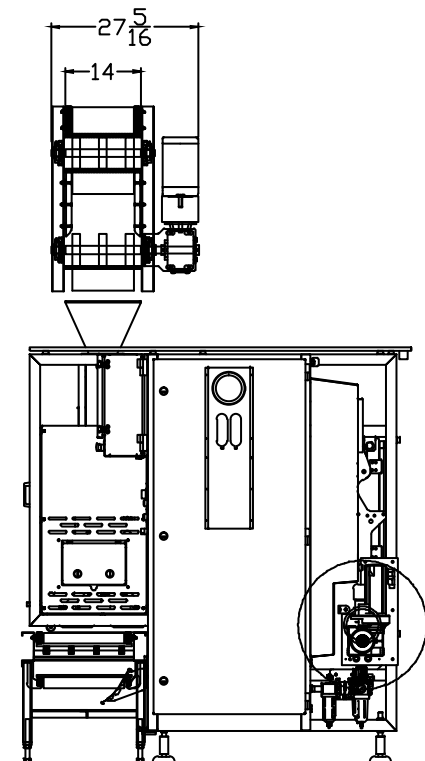
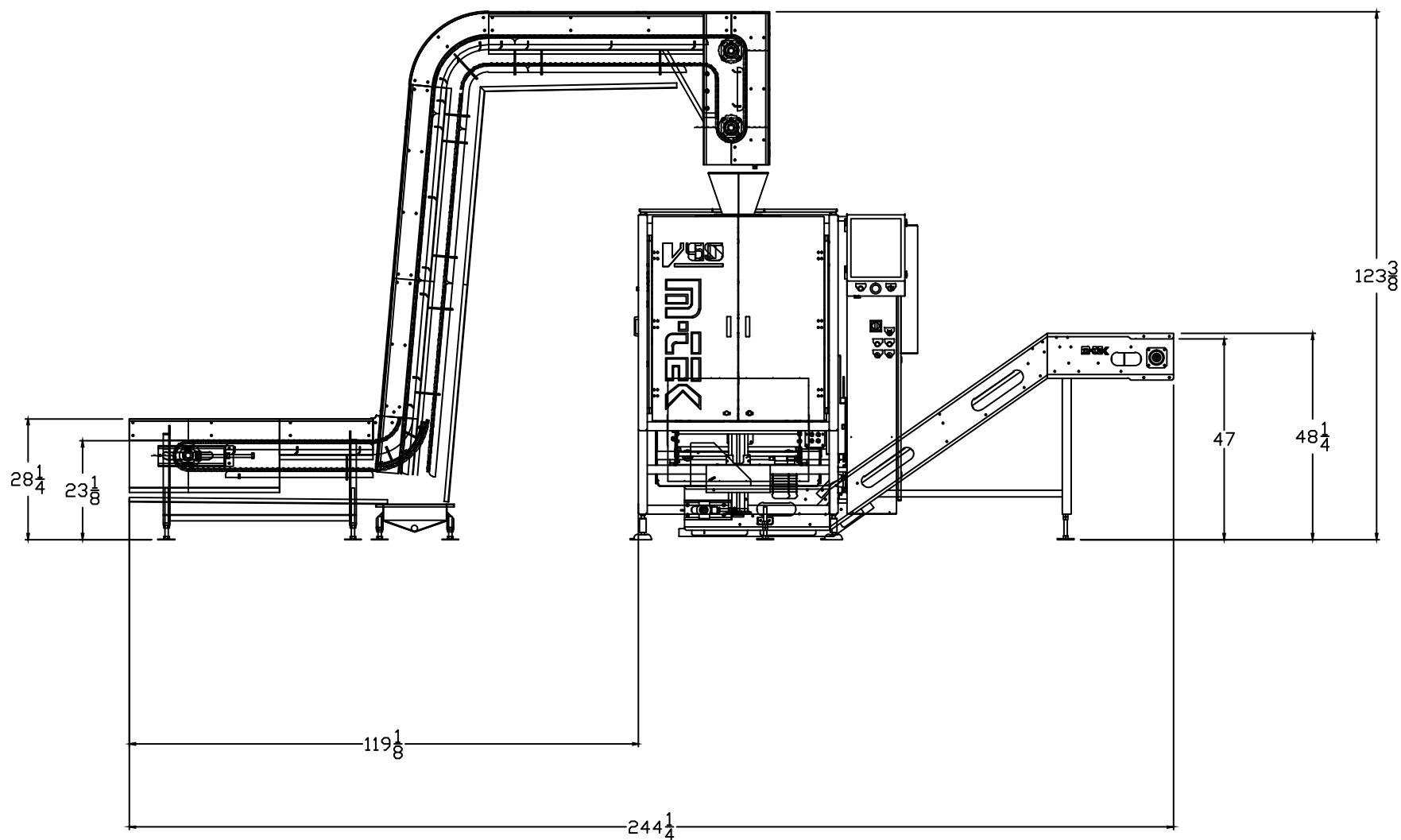
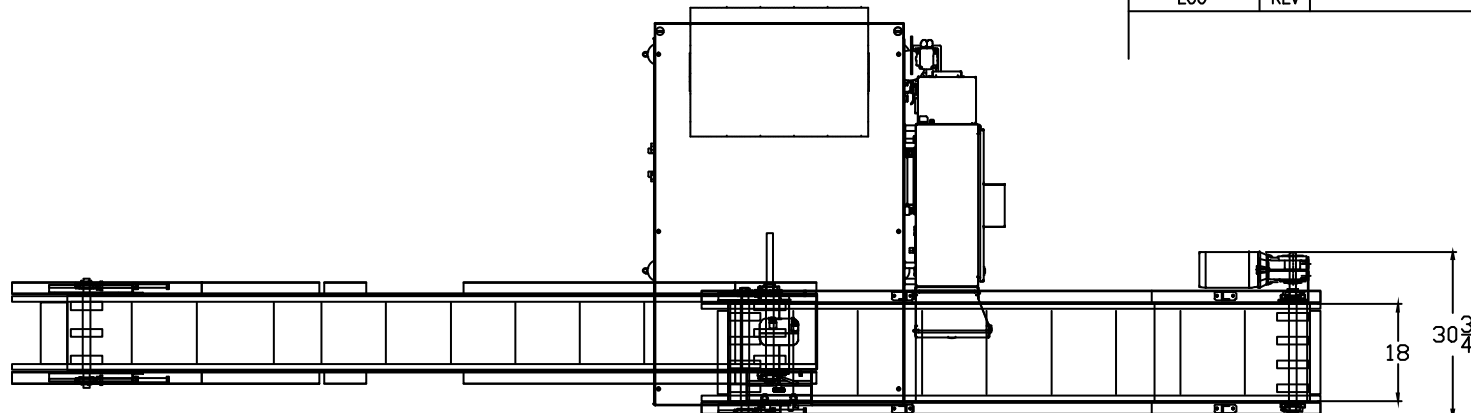
TITLE: V32 FRONT INFEEED - SIDE OUTFEED

TOLERANCES: UNLESS OTHERWISE STATED:
 FRACTIONAL = ±.015
 .XX = ±.015
 .XXX = ±.005
 DRILLED HOLE: STANDARD S.A.E.

DWG NO.: V32CONVEYORS REV: -

SCALE: DATE: 02/26/08 SHEET 1 OF 1

| REVISIONS | | | | |
|-----------|-----|-------------|------|----------|
| ECO | REV | DESCRIPTION | DATE | APPROVED |
| | | | | |



n-tek INC.

THIS DRAWING IS THE PROPERTY OF N-TEK, INC. AND IS TO BE CONSIDERED CONFIDENTIAL. USE OR REPRODUCTION WITHOUT THE EXPRESS PERMISSION OF THE COMPANY IS STRICTLY PROHIBITED.

APPROVED MFG: _____ APPROVED ENG: _____
DRAWN BY: T. LIKOPOULOS

TITLE:
V32 SIDE INFEED - SIDE OUTFEED

TOLERANCES: UNLESS OTHERWISE STATED:
FRACTIONAL = ±.015
.XX = ±.015
.XXX = ±.005
DRILLED HOLE: STANDARD S.A.E.

DWG NO.: V32CONVEYORS
SCALE: _____ DATE: 02/26/08 SHEET 1 OF 1